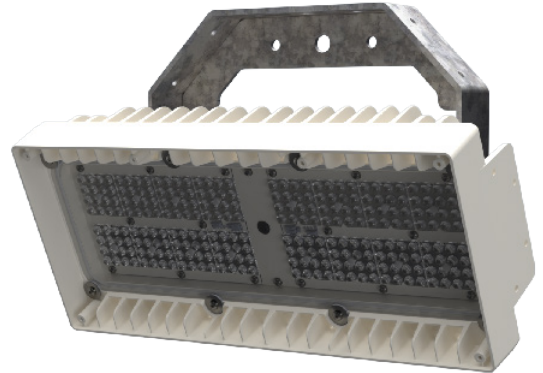




FL820 Stadia

TECHNICAL DATASHEET

FL820 is a high output LED floodlight, which is designed for all types of stadia lighting, and may be used as a replacement for existing 1kW or 2kW floodlight systems. It is available as a single, twin or triple module with CSP (Chip Scale Package) LEDs.



This luminaire complies with ETL guidelines for White Light Emitting Diode Lighting Units and is eligible for the Enhanced Capital Allowance (ECA) scheme.

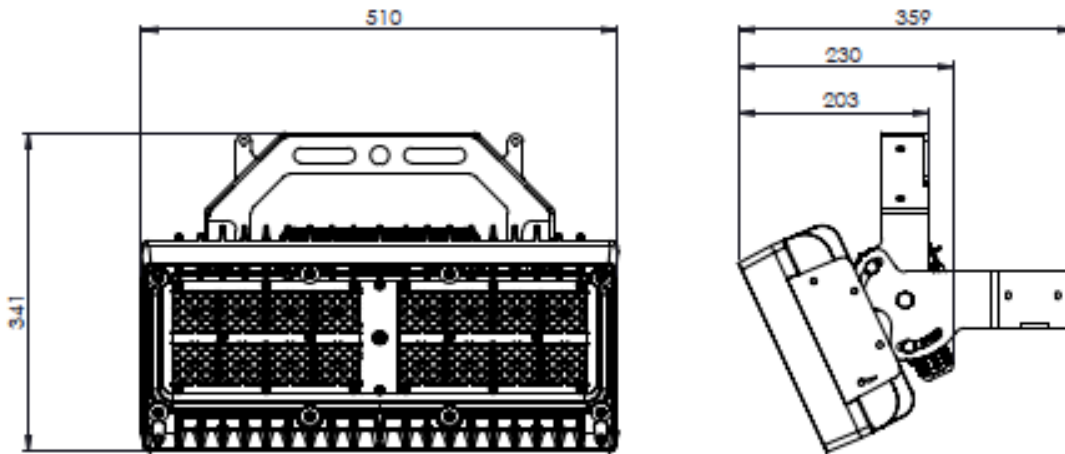
SPECIFICATION

Light Source	High Power CSP LED		
Number of LEDs	256 LEDs per module (2 x 128)		
Correlated Colour Temperature	3000K, 4000K, 5700K		
Colour Rendering Index	>70		
Optical Cover	Flat glass		
Max. Luminaire Efficacy at full Power	154 lm/W		
Max. Luminaire Efficacy	173 lm/W		
Electrical Class	I		
Lumen Maintenance Output (Ta = 25°C)	L90 = 80,000 hours, Ta = 45°C L92 > 100,000 hours, Ta = 25°C		
Driver Current	700mA, 850mA, 1050mA, 1200mA, 1400mA		
Operating Temperature	-40°C to +50°C		
Storage Temperature	-25°C to +80°C		
Installation Height	10 - 60m		
Material	Marine Grade Aluminium (LM6) Module, Aluminium side plates, Galvanised steel stirrup		
Finish	Aluminium parts polyester powder coated RAL 9010		
Ingress Protection	IP66		
Luminaire Tilt (On Site)	-15°C to +15°C		
Product Configuration	FL820-1-P	FL820-2-P	FL820-3-P
Max. Luminaire Luminous Flux	79314lm	158628lm	237942lm
Power Consumption	255-512W	510-1024W	765-1536W
Wind Area Side (FPA)**	0.042m ²	0.077m ²	0.110m ²
Wind Area Front (FPA)***	0.153m ²	0.286m ²	0.422m ²
Weight (Kg)	12.8kg	21.9kg	29.5kg
Above data is for remote driver types			

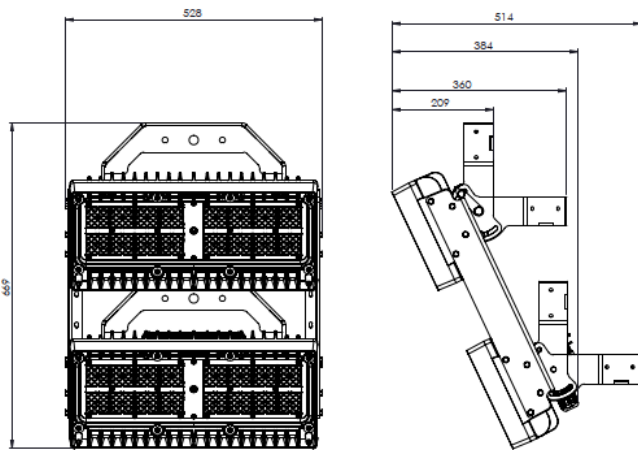
FL820 Stadia

TECHNICAL DATASHEET

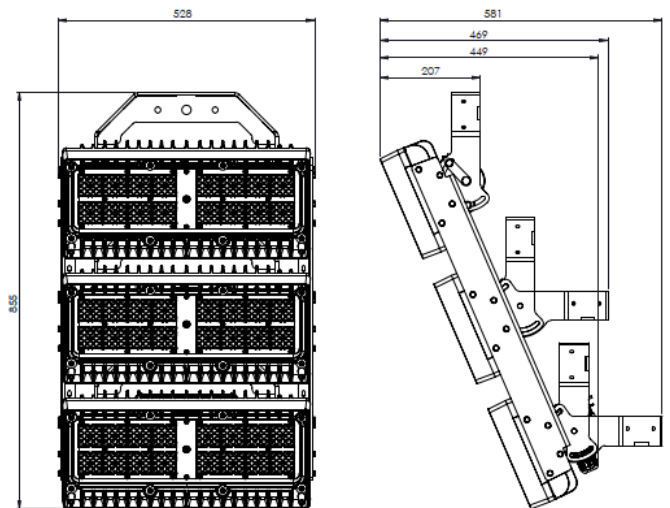
FL820-1



FL820-2



FL820-3



Above data is for remote driver types