



P862_{4x4}

TECHNICAL DATASHEET

P862 is an LED luminaire that excels in optical performance, thermal management, compatibility and serviceability, resulting in an uncompromised outcome of efficiency and versatility that is future-proofed for an optimised investment.

P862 is the ultimate solution to replace traditional HID sources. Being lightweight and having a low profile wind area enables the P862 to be safely installed on existing lighting columns and brackets.



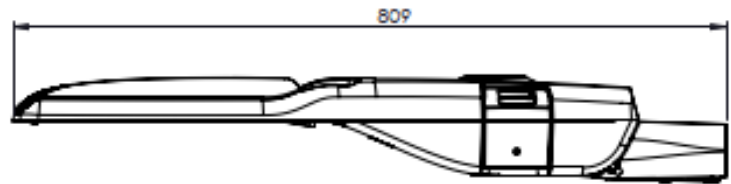
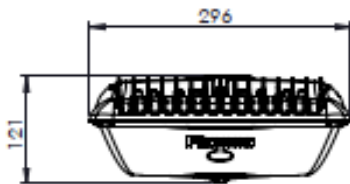
SPECIFICATION

Light Source	High power CSP LEDs	
Number of LEDs	128	256 (128 x 2)
Power Consumption	39 - 196W	71 - 225W
Correlated Colour Temperature	Neutral white, 4000K (3000K and 2700K options)	
Glare Class	Up to G6	
Colour Rendering Index	> 70	
Optical Cover	Flat Glass - Tested to IK09	
Luminaire Luminous Flux	6000 - 30820 lm	11650 - 37930lm
Luminaire Efficacy	Up to 173 lm/W	Up to 174 lm/W
Electrical Class	I or II	
Control System Input	DALI	
Lumen Maintenance Output	L90 > 100,000 hours (Ta = 25°C)	
Driver Current	200mA - 1050mA in 25mA steps	200 - 625mA in 25mA steps
Surge Protection	10kV Common Mode, 6kV Differential Mode to IEC 61000-4-5	
Dimming Control	Multi step dimming	
Lighting Regulation	Mini Photocell, 7-pin ANSI Socket, Zhaga Book 18 socket, Wireless CMS Options	
Operating Temperature	-40°C to +50°C	
Raised Ambient Operation	+50C (limited max driver current)	
Installation Height	5-12m	
Installation	SE Ø 34-42mm or Ø 42-60mm PT Ø 42-60mm or Ø 60-76mm	
Installation Post Top / Side Entry Tilt	-10°, -5°, 0°, 5°, 10°	
Material	High pressure die cast aluminium (housing)	
Finish	Polyester powder coat cured under heat	
Colours	Light grey (RAL7035), other RAL colours available on request	
Ingress Protection	IP66	
Wind Area (SCx)	0.042m ²	
Weight	8.5kg	9.5kg

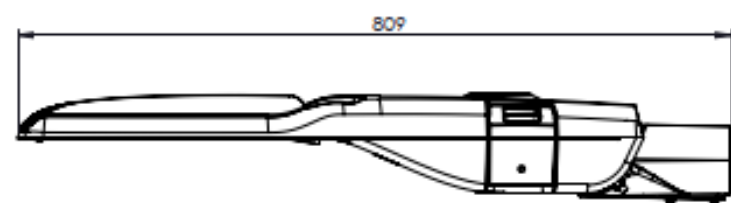
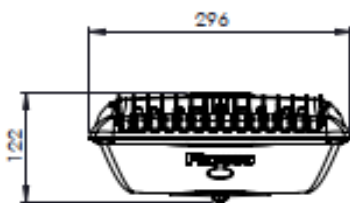
P862_{4x4}

TECHNICAL DATASHEET

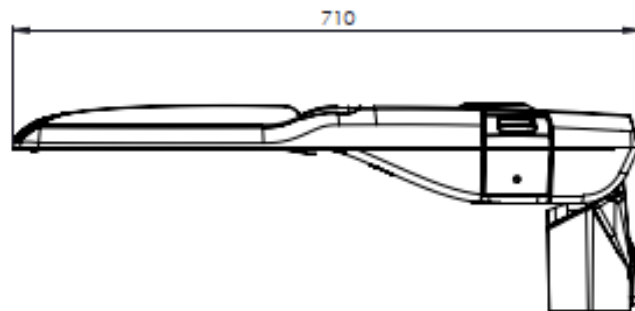
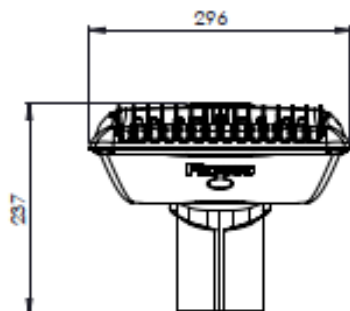
42mm Side Entry



60mm Side Entry



76mm Post Top



Available accessories :-

- Safety lanyard
- Bubble level
- External shields, front, back and sides
- Internal rear shield
- Bird spikes