



P863_{4x4}

TECHNICAL DATASHEET

The P863 is an LED luminaire that excels in optical performance, thermal management, compatibility and serviceability, resulting in an uncompromised outcome of efficiency and versatility that is future-proofed for an optimised investment.

The P863 has been designed to meet the most demanding lighting requirements, being easy to install and maintain. It combines the latest LED light source with state-of-the-art design, achieving longevity for both the LEDs and the drivers. The installation is simple and fast, and the luminaire is easily upgradeable on site if required.



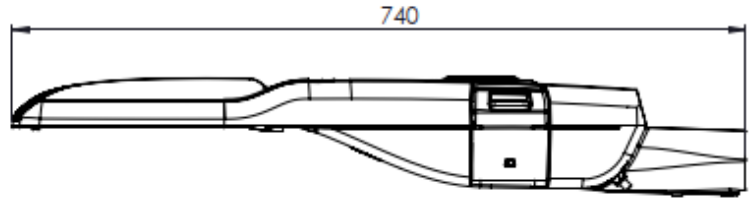
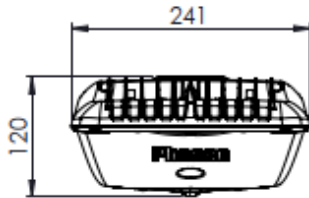
SPECIFICATION

Light Source	High Power CSP LEDs
Number of LEDs	128
Power Consumption	39 - 168W
Correlated Colour Temperature	Neutral white, 4000K (3000K and 2700K options)
Glare Class	Up to G6
Colour Rendering Index	>70
Optical Cover	Flat Glass - Tested to IK09
Luminaire Luminous Flux	6500 - 26500 lm
Luminaire Efficacy	Up to 174 lm/W
Electrical Class	I & II
Control System Input	DALI / 1-10V
Lumen Maintenance Output	L90 > 100,000 hours (Ta = 25°C)
Driver Current	200mA - 900mA in 25mA steps
Surge Protection	10 kV Com. Mode, 6 kV Diff. Mode to IEC 61000-4-5
Dimming Control	Multi step dimming
Lighting Regulation	Mini Photocell, 7-pin ANSI NEMA, Zhaga Book 18 socket(s) Wireless CMS options
Operating Temperature	-40°C to +50°C
Raised Ambient Operation	+50°C (up to 600mA driver current)
Installation Height	4 - 10m
Installation	SE Ø 34-42mm or Ø 42-60mm PT Ø 42-60mm or Ø 60-76mm
Top / Side Entry	-10°, -5°, 0°, 5°, 10°
Material	High pressure die cast aluminium (housing)
Finish	Polyester powder coat cured under heat
Colours	Light Grey (RAL 7035), other RAL colours available on request
Ingress Protection	IP66
Wind Area (SCx)	0.039m ²
Weight	8.2kg

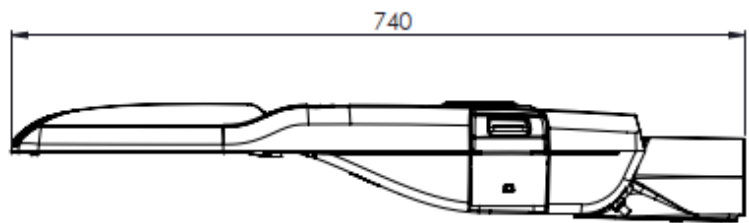
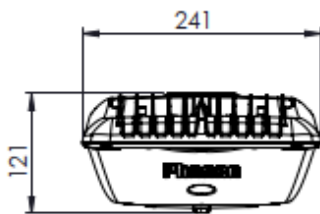
P863_{4x4}

TECHNICAL DATASHEET

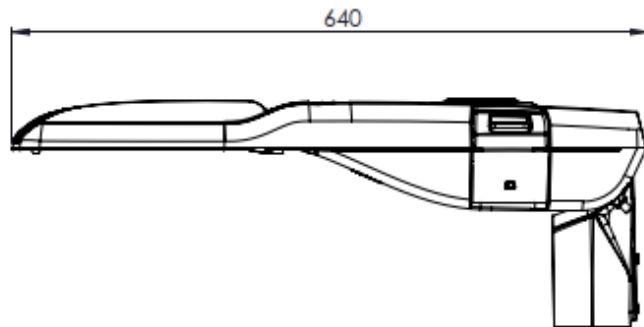
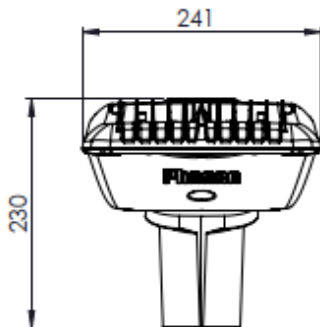
42mm Side Entry



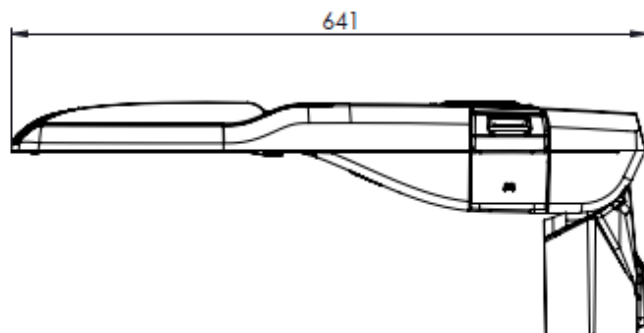
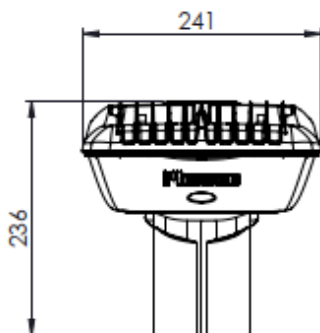
60mm Side Entry



60mm Post Top



76mm Post Top



Available accessories :-

- Safety lanyard
- Bubble level
- External shields, front, back and sides
- Internal rear shield
- Bird spikes